



“The Standard of Excellence in the Industry”

CASCADE WATERWORKS CORPORATION CAP SADDLE

CCAP2

Fully encapsulate an abandoned corporation stop.

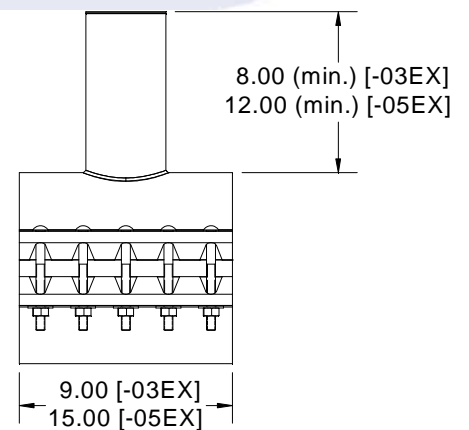


FEATURES

- All Stainless Steel (T304) construction
- Rated up to 300 PSI
- Fits Nominal Pipe Sizes from 4” to 24”
- Multiple Cap Sizes
 - 3” (-03EX) covers Corporation Stop sizes 1/2” through 1”
 - 5” (-05EX) covers Corporation Stop sizes 1-1/4” through 2”

Pipe O.D. ranges shown on back.

Use with the corresponding Cap Size.



1213 BADGER STREET • YORKVILLE, ILLINOIS 60560
(630) 553-0840 • (800) 426-4301 • FAX (630) 553-0181
www.cascademfg.com

CORPORATION CAP SADDLE

CORPORATION CAP SADDLES - STYLE - CCAP2

Cascade's Corporation Cap Saddles shall be made from a top shell section and a back shell section. The back shell section shall be a minimum thickness of 14 gauge, T304 stainless steel and have lug bars MIG welded to the shell. Each lug bar shall be T304 stainless steel of a minimum thickness of 7 gauge, and are MIG welded along the top and bottom edges. The top shell section (cap side) shall be a minimum thickness of 11 gauge, T304 stainless steel and have lug bars welded to the shell similar to the back shell. The Corp Cap shall be 18-8, T304 SST and shall be attached to the Top shell with an outside seam MIG weld and an inside seam TIG weld. Armor plates shall be made of T316 stainless steel and shall be TIG welded to the Top shell to aide in providing full hoop support. The Back shell section shall be attached to the Top shell section using T304 stainless steel 5/8 UNC, carriage bolts with rolled threads, T304 stainless steel washers, Nylon washers and Xylan coated T304 stainless steel, heavy hex nuts. Both shells shall be lined with a 0.250" thick, virgin SBR, gridded, mat gasket with tapered ends to provide a 360° wrap on the pipe. All weldments shall be chemically passivated in accordance with ASTM A380. The **CORPORATION CAP SADDLE** shall be **CCAP2** as manufactured by Cascade Waterworks Mfg. Co. of Yorkville, IL.

SIZES

Nominal Pipe Size	O.D. Range (Inches)	Catalog Number	
		Saddle by Cap Size	
4	4.40 - 4.60	CCAP2-0460	
	4.70 - 4.90	CCAP2-0490	-03EX
	4.80 - 5.00	CCAP2-0500	or
	5.10 - 5.30	CCAP2-0530	-05EX
	5.20 - 5.40	CCAP2-0540	
6	6.60 - 7.00	CCAP2-0700	-03EX
	6.90 - 7.30	CCAP2-0730	or
	7.10 - 7.50	CCAP2-0750	-05EX
	7.50 - 7.90	CCAP2-0790	
8	7.90 - 8.30	CCAP2-0830	
	8.35 - 8.75	CCAP2-0875	-03EX
	8.63 - 9.05	CCAP2-0905	or
	8.95 - 9.35	CCAP2-0935	-05EX
	9.20 - 9.60	CCAP2-0960	
10	10.50 - 10.90	CCAP2-1090	
	10.75 - 11.10	CCAP2-1110	-03EX
	11.00 - 11.40	CCAP2-1140	or
	11.40 - 11.80	CCAP2-1180	-05EX
	11.80 - 12.20	CCAP2-1220	
12	12.50 - 12.90	CCAP2-1290	
	13.00 - 13.40	CCAP2-1340	-03EX
	13.20 - 13.60	CCAP2-1360	or
	13.40 - 13.80	CCAP2-1380	-05EX
	14.00 - 14.40	CCAP2-1440	

Nominal Pipe Size	O.D. Range (Inches)	Catalog Number	
		Saddle by Cap Size	
14	15.10 - 15.50	CCAP2-1550	
	15.40 - 15.80	CCAP2-1580	-03EX
	15.80 - 16.20	CCAP2-1620	or
	16.38 - 16.78	CCAP2-1678	-05EX
16	17.20 - 17.60	CCAP2-1760	
	17.40 - 17.80	CCAP2-1780	-03EX
	17.76 - 18.16	CCAP2-1816	or
	18.40 - 18.80	CCAP2-1880	-05EX
	18.60 - 19.00	CCAP2-1900	
18	18.80 - 19.20	CCAP2-1920	-03EX
	19.30 - 19.70	CCAP2-1970	or
	19.80 - 20.20	CCAP2-2020	-05EX
	21.00 - 21.40	CCAP2-2140	
20	21.40 - 21.80	CCAP2-2180	-03EX
	21.90 - 22.30	CCAP2-2230	or
	22.10 - 22.50	CCAP2-2250	-05EX
24	23.20 - 23.60	CCAP2-2360	-03EX
	25.60 - 26.00	CCAP2-2600	or
	26.10 - 26.50	CCAP2-2650	-05EX
	27.90 - 28.30	CCAP2-2830	

-03EX covers Corporation Stop sizes 1/2" through 1"

-05EX covers Corporation Stop sizes 1-1/4" through 2"

WARRANTY

Cascade Waterworks Mfg. Co. warrants its product(s) for one year from the date of shipment to be free of defects in material or workmanship. **Cascade** will repair or replace this product if found to be defective within the warranty period, provided that the buyer submits his claim in writing and delivers the original claimed defective product in its entirety, freight prepaid to **Cascade Waterworks Mfg. Co., 1213 Badger Street, Yorkville, IL, 60560** for inspection within 30 days. Any written notice and/or product shall be sent directly to **Cascade** unless otherwise instructed. Sending these to a manufacturer's representative or any other agent prior to **Cascade's** review will void all warranties. **Cascade** will not be liable nor responsible for any loss, damage or injury to any persons or property directly or indirectly arising from the use or inability to use this product. The user shall determine the suitability of the product for its intended use prior to any application and said user assumes all risks in connection with the use of this product. No claims for labor or damage will be allowed. The foregoing warranties and remedies are exclusive and in lieu of all others, whether written, oral, or implied. Buyer must advise **Cascade** within 30 days of discovery of the alleged defect or the claim will be barred. Upon the products' purchase from **Cascade Waterworks Mfg. Co.**, or any of its Agents, the purchaser agrees to **all of the above terms of warranty.**