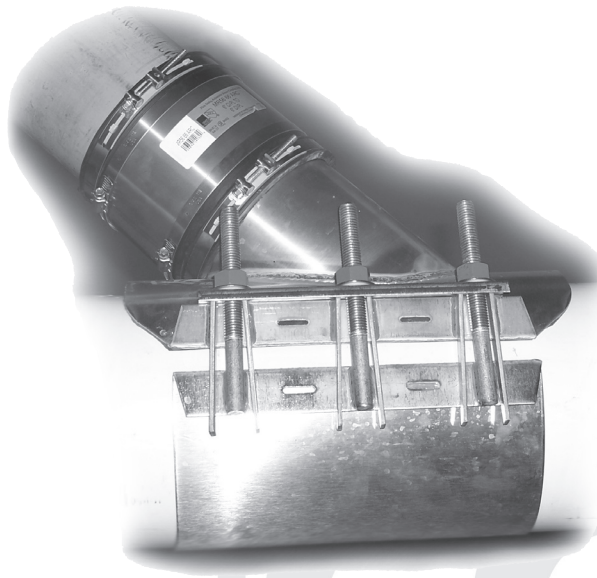




“The Standard
of Excellence in
the Industry”

CASCADE WATERWORKS SEWER SADDLE TEE & WYE



CSWRY-0863-06RC



CSWRT-0863-06RC

FEATURES

- All Stainless Steel design
- Large branch-side Mat Gasket provides strong seal as well as preventing saddle migration on main line.
- Long Saddle for Mainline support
- Inlet Branch sized for use with a non-shear flexible coupling (not included)
- Standard 1 Year Warranty

PATENT PENDING

1213 BADGER STREET • YORKVILLE, ILLINOIS 60560
(630) 553-0840 • (800) 426-4301 • FAX (630) 553-0181
www.cascademfg.com

SEWER SADDLE TEE & WYE

SEWER SADDLE (Stainless Steel) - STYLES - CSWRT & CSWRY

Sewer Saddles shall be of two-piece construction. The Top shell section shall be a minimum of 14 ga. and shall be made from T304 stainless steel, in accordance with ASTM A240 and have a Branch Inlet attached to the Top shell with an outside seam MIG weld. *The Branch Inlets shall be configured to accept a Branch Line at a 90° angle to the Main Line for Style CSWRT or at a 45° angle to the Main Line for Style CSWRY.* The Back shell section shall be a minimum of 18 ga. and shall be made from T304 stainless steel, in accordance with ASTM A240. These Saddles shall have a minimum of one stud/receiver assembly per side. The Saddle shall mount to the mating Main Line. Branch Inlets shall be T304 stainless steel, in accordance with ASTM A240, with a length sufficient for use with a non-shear rubber coupling (not included). Bolts and nuts shall be 5/8 UNC, 18-8 stainless steel. Nuts shall be coated with a fluoropolymer coating to prevent galling. Washers shall be nylon and 18-8 stainless steel. Main Line Gasket shall be a gridded mat, with tapered ends and an opening for the Branch Line. Gasket shall be virgin SBR, grade 30 in accordance with ASTM D2000, and suitable for sewer service. All weldments shall be **fully chemically passivated in accordance with ASTM A380**. Sewer Saddles shall be Model CSWRT or CSWRY as manufactured by Cascade Waterworks Mfg. Co. of Yorkville, IL.

CSWRT (Tee) SIZES

Nominal Pipe Size (inches)	Inlet Size	Catalog Number
6	4	CSWRT-(Pipe OD)-04-RC
8	4	CSWRT-(Pipe OD)-04-RC
	6	CSWRT-(Pipe OD)-06-RC
10	4	CSWRT-(Pipe OD)-04-RC
	6	CSWRT-(Pipe OD)-06-RC
	8	CSWRT-(Pipe OD)-08-RC
12	4	CSWRT-(Pipe OD)-04-RC
	6	CSWRT-(Pipe OD)-06-RC
	8	CSWRT-(Pipe OD)-08-RC
	10	CSWRT-(Pipe OD)-10-RC
14	4	CSWRT-(Pipe OD)-04-RC
	6	CSWRT-(Pipe OD)-06-RC
	8	CSWRT-(Pipe OD)-08-RC
	10	CSWRT-(Pipe OD)-10-RC
	12	CSWRT-(Pipe OD)-12-RC
16	4	CSWRT-(Pipe OD)-04-RC
	6	CSWRT-(Pipe OD)-06-RC
	8	CSWRT-(Pipe OD)-08-RC
	10	CSWRT-(Pipe OD)-10-RC
	12	CSWRT-(Pipe OD)-12-RC

CSWRY (Wye) SIZES

Nominal Pipe Size (inches)	Inlet Size	Catalog Number
6	4	CSWRY-(Pipe OD)-04-RC
8	4	CSWRY-(Pipe OD)-04-RC
	6	CSWRY-(Pipe OD)-06-RC
10	4	CSWRY-(Pipe OD)-04-RC
	6	CSWRY-(Pipe OD)-06-RC
	8	CSWRY-(Pipe OD)-08-RC
12	4	CSWRY-(Pipe OD)-04-RC
	6	CSWRY-(Pipe OD)-06-RC
	8	CSWRY-(Pipe OD)-08-RC
	10	CSWRY-(Pipe OD)-10-RC
14	4	CSWRY-(Pipe OD)-04-RC
	6	CSWRY-(Pipe OD)-06-RC
	8	CSWRY-(Pipe OD)-08-RC
	10	CSWRY-(Pipe OD)-10-RC
	12	CSWRY-(Pipe OD)-12-RC
16	4	CSWRY-(Pipe OD)-04-RC
	6	CSWRY-(Pipe OD)-06-RC
	8	CSWRY-(Pipe OD)-08-RC
	10	CSWRY-(Pipe OD)-10-RC
	12	CSWRY-(Pipe OD)-12-RC

NOTE: Rubber Coupling is not supplied. Inlet O.D. will be sewer O.D.

TO ORDER: Select Catalog Number and specify the exact Pipe O.D. it is going on and the Inlet size desired.

EXAMPLE: A stainless steel sewer Tee for 6" pipe (O.D. ϕ 6.28") with a 4" inlet for a Rubber Coupling (RC) would be **CSWRT-0628-04-RC**.

EXAMPLE: A stainless steel sewer Wye for 6" pipe (O.D. ϕ 6.28") with a 4" inlet for a Rubber Coupling (RC) would be **CSWRY-0628-04-RC**.

WARRANTY

Cascade Waterworks Mfg. Co. warrants its product(s) for one year from the date of shipment to be free of defects in material or workmanship. **Cascade** will repair or replace this product if found to be defective within the warranty period, provided that the buyer submits his claim in writing and delivers the original claimed defective product in its entirety, freight prepaid to **Cascade Waterworks Mfg. Co., 1213 Badger Street, Yorkville, IL, 60560** for inspection within 30 days. Any written notice and/or product shall be sent directly to **Cascade** unless otherwise instructed. Sending these to a manufacturer's representative or any other agent prior to **Cascade's** review will void all warranties. **Cascade** will not be liable nor responsible for any loss, damage or injury to any persons or property directly or indirectly arising from the use or inability to use this product. The user shall determine the suitability of the product for its intended use prior to any application and said user assumes all risks in connection with the use of this product. No claims for labor or damage will be allowed. The foregoing warranties and remedies are exclusive and in lieu of all others, whether written, oral, or implied. Buyer must advise **Cascade** within 30 days of discovery of the alleged defect or the claim will be barred. Upon the products' purchase from **Cascade Waterworks Mfg. Co.**, or any of its Agents, the purchaser agrees to **all of the above terms of warranty**.